

# KANSAS



# DOG SHOW RULE BOOK

Kansas State University  
Agricultural Experiment Station  
and Cooperative Extension Service

## **Foreword**

This publication is intended as a guide for 4-H'ers, 4-H leaders, county extension agents, show managers, parents and judges.

This rule book is designed to help establish uniform regulations and procedures for the 4-H dog shows and events throughout the state. Please use this book as a guide when setting up your shows and establishing show rules. All judges should be made familiar with 4-H dog show rules and objectives, which are often different from other organizations' rules .

## **Objectives**

The purpose of the dog project is to help 4-H youth:

- Develop leadership, initiative, self-reliance, sportsmanship and other desirable traits of character.
- Experience the pride and responsibility of being involved with a dog.
- Acquire skill, patience and understanding by training a dog.
- Realize a greater love for animals and a humane attitude toward them.
- Prepare for citizenship responsibilities by working together in groups and supporting community dog projects and activities.

## **4-H Name and Emblem**

The use of the name and emblem of 4-H is regulated by federal law. This law states that only activities or programs under supervision of the Cooperative Extension Service may use the name and emblem of 4-H.

Shows sponsored by other organizations and shows which do not provide separate classes for 4-H'ers are not permitted to use the name and emblem of 4-H. In such cases, the title "junior dog show" or similar name should be used.

## **Owning a Dog**

Because 4-H is a learn-by-doing educational program, it is the intent that 4-H members care for and train their dogs. A member will learn very little if someone else trains and cares for the dog.

Most 4-H'ers will be able to have a dog that they or their family own. Sometimes this is not always possible. Consider these guidelines if you want to have a dog project and you do not own the dog:

1. Member must enroll at the appropriate time and carry the dog as a project the entire 4-H year.
2. Member must care for and train the dog. Care includes: feeding, training, exercising, kennel management, grooming and use of the dog.
3. The club or county 4-H dog leader should be informed of this arrangement at the start of the project.

## **General Regulations**

1. State 4-H Dog Show Immunization Record (MG-34) should be required at all shows. Proof of rabies vaccination signed by a graduate, licensed, accredited veterinarian must be presented to the veterinarian or show committee at registration on day of show to be eligible to compete. Other required vaccinations are: bordetella, distemper, hepatitis, parvovirus, parainfluenza. Other recommended vaccinations are leptospirosis and coronavirus.
2. Any abuse of dogs on the grounds or in the ring will result in disqualification.
3. No dog in season will be allowed to show and must be removed from the show arena grounds immediately.
4. Any dog with a contagious, communicable or infectious disease or condition, in the judgment of the attending veterinarian, cannot be shown. It must be removed from the show arena grounds immediately.
5. Dog and member perform as a specific team. Any time a dog gets a new owner or a member gets a different dog, the team begins training at a mutual skill level that best matches the skills of dog and member. (For example, a new 8-year-old member who inherits a graduate novice dog may need to begin at the novice level.)
6. Good sportsmanship shall be observed at all times. Dismissal from the ring by the judge for any of the following reasons will result in a disqualification and no ribbon for the team: dog leaving ring or out of control, dog being overly aggressive, unsportsmanlike conduct or abusive language by the handler, baiting the dog with food, squeakers, etc. Any protest should be made in writing to the show committee.

## **Showmanship**

### **Purpose of Showmanship**

It provides 4-H'ers the opportunity to show their dog and themselves to the best of their ability.

## Showing Tips for the 4-H'er

Use the collar that best suits your dog. This may be a show lead that serves as both collar and lead or a fine link chain collar, a "snake chain" or a fabric slip collar with a narrow, lightweight fabric or leather lead.

Place the show leash around the dog's throat so it can be tightened to ensure the lead does not slip off the animal. Position the collar portion of the leash around the neck, just behind the ears. This will allow you to control your dog.

The judge will look for the specific points listed in the scoring section. **It is the responsibility of each 4-H'er to groom his/her own dog.** Professional cuts are not necessary as long as your dog is clean and healthy.

Remember to always be prepared before the show. The judge has the right to ask questions about the dog and the project.

Your appearance is very important in showmanship. Even if your dog is well groomed, do not forget yourself. The type of dress you choose is optional; however, dress clothes are recommended unless the individual show specifies the dress code. Be sure to wear shoes which provide sure footing.

Judging also will include the movement of your dog and yourself together. Move your dog in a straight and even gait and work together as a team. Being alert is very important. Watch the judge so you can react with the least amount of hesitation. Always try to avoid putting yourself between the dog and the judge. Any unnecessary jerking, pulling or extremely loud commands are not acceptable.

## Scoring in Showmanship

Scoresheets for showmanship will be available at most shows, although it is not a requirement. This is the decision of each show committee. To qualify to show at the Kansas State Fair Dog Show, the 4-H'er must have been awarded a blue or purple ribbon at a county or invitational 4-H show. Scoresheets may be obtained from your local Research and Extension office.

Showmanship is based on 100 points. The following ribbons and suggested points are recommended:

Purple .....	95-100 points
Blue .....	90-94.5 points
Red .....	80-89.5 points
White .....	79.5 or less

## Suggested Scoresheet

### 1. Fitting of the Dog — 30 points

- A. *Hair and Coat* — clean, natural, not scaly, not matted, free from loose hair 5 points
- B. *General Absence of Parasites* —  
fleas, lice, mites and ticks 5 points
- C. *Ears* — clean inside 5 points
- D. *Toenails* — not excessively long 5 points
- E. *Teeth* — clean, free of excess tartar 5 points
- F. *Eyes* — clean, free of matter 5 points

### 2. Showmanship of Handler — 35 points

- A. Appearance
- B. Grace and ease of showing
- C. Avoids awkward positions
- D. Easy and smooth movement
- E. Sportsmanship
- F. Knowledge of dog

### 3. Coordination Between Dog and Handler — 35 points

- A. Dog's reaction to handler
- B. Communication between dog and handler
- C. Straight and even gait
- D. Works as a team

**Total 100 points**

In showmanship, an automatic white ribbon will be given if your dog fouls the ring.

Not all shows will offer purple, blue, red and white ribbons. Various show committees make this decision, but suggest all 4-H'ers receive a ribbon.

If several dogs receive the same score in a class, it will be the judge's decision to select a first-place winner from the exhibitors. Movement patterns will be used to decide ties — one team at a time doing the same movement pattern. The judge's decision is final.

Showmanship at the State 4-H Dog Show is divided into three divisions: Junior, 9 to 11 years; Intermediate, 12 to 14 years; and Senior, 15 years and up (based on the 4-H'ers age as of Jan. 1). The decision to sub-divide the classes or allow younger than age 10 is the responsibility of each show committee.

The judge will examine each dog individually for grooming. Showing the dog on an examination or grooming table is an option for the 4-H member, regardless of the dog's size. When setting up your dog for

the individual examination, or when in the line, always try to position your dog to show its best traits.

The judge will be looking at the way the dog and 4-H'er work together by observing the following items (not all-inclusive):

1. Moving in a straight line
2. Following directions
3. Keeping the dog between the judge and the 4-H'er
4. Making smooth turns and corners
5. Maintaining a continuous, even gait by both the handler and dog
6. Showing of the dog

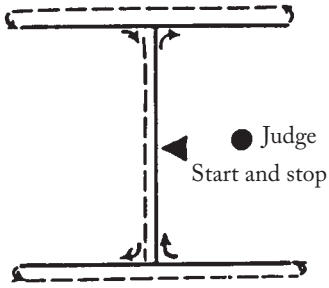
All 4-H'ers and their dogs will have the opportunity to complete a pattern chosen by the judge. The five main patterns from which the judge will select are shown in the following diagrams. All 4-H'ers should make themselves familiar with these patterns.

### **Summary**

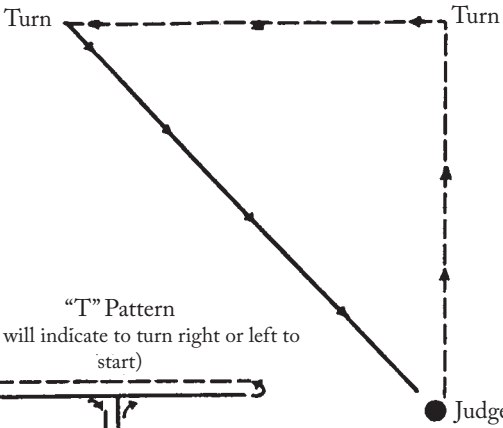
In the basic guidelines for showmanship, it is clear that 4-H'ers and their dogs are being judged as a team according to 4-H guidelines. The dog's conformation is *not* to be considered.

Any dog may continue to show in showmanship regardless of placement in previous shows as long as the 4-H'er and dog are actively enrolled in the 4-H Dog Project.

"I" Pattern

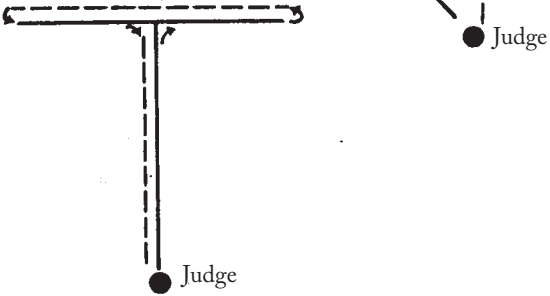


"Triangle" Pattern



"T" Pattern

(Judge will indicate to turn right or left to start)



"L" Pattern



"Straight Out and Back" Pattern



# Obedience

## General Guidelines

1. Do not allow dogs and handlers to enter the show ring before the class.
2. A 4-H'er may enter only one dog per class.
3. Baiting your dog with food and/or squeakers will not be allowed while in the ring.
4. An automatic white ribbon will be given if your dog fouls the ring.
5. If you choose to have a pre-novice class, suggested ribbon groups and breaks are:
  - Purple ..... 150-160 points
  - Blue..... 135-149.5 points
  - Red ..... 120-134.5 points
  - White ..... 119.5 or less
6. Use ribbon groups with the following breaks for novice classes and above.
  - Purple ..... 190-200 points
  - Blue..... 170-189.5 points
  - Red ..... 150-169.5 points
  - White ..... 149.5 or less

A score of 170 points or greater is a qualifying score with at least 50 percent in each exercise. This qualifying score must be earned at the novice level or higher to qualify for the Kansas State Fair 4-H Dog Show. In the case of a tie, hold a run-off on the heel free exercise one team at a time.
7. Once a 4-H'er scores 170 points or greater with the same dog under two different judges, the member must advance to the next obedience level at the start of the next 4-H year. At any time that the leader, parent and member agree that the 4-H'er and dog are ready to move to the next level, they may; but once that is done, they cannot regress to a lower level.

## Suggested Classes and Scoresheets

Be sure to read the exercises listed for each obedience class. Samples of scoresheets may be obtained at your local Research and Extension office.

**Pre-Novice**—For local shows only. All exercises done on leash.

### *Possible Points*

35	Heel and figure 8
30	Stand for examination
35	Recall
30	Long sit (1 minute)
30	Long down (3 minutes)
160	TOTAL



## **Novice**

### *Possible Points*

35	Heel on leash and figure 8
30	Stand for examination (off leash)
45	Heel (off leash)
30	Recall (off leash)
30	Long sit (1 minute off leash)
30	Long down (3 minutes off leash)
200	TOTAL

**Graduate Novice**—For all 4-H'er/dog teams who have qualified in Novice under two different certified judges the previous year.

### *Possible Points*

35	Heel on leash
30	Stand for examination (off leash)
45	Heel free and figure 8
30	Drop on recall
30	Long sit (member out of sight 3 minutes)
30	Long down (member out of sight 5 minutes)
200	TOTAL

**Open A**—For all 4-H'er/dog teams who have qualified in Graduate Novice under two different certified judges the previous year. All exercises off leash.

### *Possible Points*

40	Heel free and figure 8
30	Drop on recall
40	Retrieve on flat
40	Broad jump (see Table A)
25	Long sit (member out of sight 3 minutes)
25	Long down (member out of sight 5 minutes)
200	TOTAL

**Open B**—For all 4-H'er/dog teams who have qualified in Open A under two different certified judges the previous year. All exercises off leash.

### *Possible Points*

40	Heel free and figure 8
30	Drop on recall
25	Retrieve on flat
35	Retrieve over high jump (see Table A)
20	Broad jump (See Table A)
25	Long sit (member out of sight 3 minutes)
25	Long down (member out of sight 5 minutes)
200	TOTAL

**Utility A**—For all 4-H'er/dog teams who have qualified in Open B under two different certified judges the previous year. All exercises off leash.

Possible Points

40	Signal exercise
30	Article 1 (Scent Discrimination)
30	Article 2 (Scent Discrimination)
30	Retrieve over high jump (see Table A)
20	Broad jump (see Table A)
25	Long sit (member out of sight 3 minutes)
25	Long down (member out of sight 5 minutes)
200	TOTAL

**Utility B**—For all 4-H'er/dog teams who have qualified in Utility A under two different certified judges the previous year. All exercises off leash.

Possible Points

40	Signal exercise
30	Article 1 (Scent Discrimination)
30	Article 2 (Scent Discrimination)
30	Directed retrieve
40	Directed jumping (see Table A)
30	Moving stand and examination (thorough)
200	TOTAL

### Table A — Jump Heights

The minimum jumps shall be set in accordance with the following table:

Measured height of dog at withers	Heights to be jumped
Less than 12½"	8"
12½" to less than 15"	10"
15" to less than 17½"	12"
17½" to less than 20"	14"
20" to less than 23"	16"
23" to less than 25½"	18"
25½" to less than 28"	20"
28" to less than 31"	22"
31" to less than 33½"	24"
33½" to less than 36"	26"
36" to less than 39"	28"

**Note:** Broad jump length is two times the height of the high jump.

# **Regulations for Performance**

## **Ring**

The suggested ring size for an indoor show is 35 feet wide and 50 feet long for all obedience classes. The floor shall have a surface or covering that provides firm footing for the larger dogs. Rubber or similar non-slip material must be laid for the takeoff and landing at all jumps unless the surface, in the judge's opinion, does not require it.

At an outdoor show or trial, the rings shall be about 40 feet wide and 50 feet long. The ground must be clean and level and the grass, if any, shall be cut short. For the Graduate Novice, Open A, Open B, and Utility A classes, the club and superintendent are responsible for providing an appropriate place, approved by the judge, for the handlers to go completely out of sight of their dogs. If inclement weather at an outdoor trial necessitates the judging of obedience under shelter, the ring size requirements may be waived.

## **Use of Leash**

Keep all dogs on leash except when in the obedience ring or exercise ring. Bring dogs into the ring and take them out of the ring on leash. Also, dogs may be kept on leash in the ring when brought in to receive awards and when waiting in the ring before and after the group exercises. Leave the leash on the judge's table between the individual exercises and during all exercises.

The leash should be 6 feet long for Pre-Novice classes and may be of fabric or leather. This will allow adequate control of the dog.

## **Collars**

Dogs in the obedience ring should wear well-fitting slip, buckle or martingale collars of leather, chain or fabric. Fancy spiked, pinched, special training, or collars that are either too tight or so large that they hang unreasonably in front of the dogs are not permitted. There shall be no other objects hanging from the collars.

## **Misbehavior**

Any severe disciplining by the handler in the ring, any display of fear or nervousness by the dog, or any uncontrolled behavior of the dog such as snapping, barking, relieving itself in the ring or running away from its handler — whether it occurs during an exercise, between

exercises, before or after judging — must be penalized according to the seriousness of the misbehavior. The judge may expel or excuse the dog from further competition.

## **Commands and Signals**

Whenever a command or signal is mentioned in these guidelines, a single command or signal only may be given by the handler. Any extra commands or signals must be penalized; except when the guidelines specify “command and/or signal,” the handler may give either one or the other or both command and signal simultaneously. When a signal is permitted and given, it must be a single gesture with one arm and hand only. The arm must immediately be returned to a natural position. Delay in following a judge’s order to give a command or signal must be penalized, unless the delay is directed by the judge because of some distraction or interference.

The signal for downing a dog may be given either with the arm raised or with a down swing of the arm. Any pause in holding the arm upright followed by a down swing of the arm will be considered an additional signal.

Loud commands by handlers to their dogs create a poor impression of obedience and should be avoided. Shouting is not necessary, even in a noisy place, if the dog is properly trained to respond to a normal tone of voice. Commands which, in the judge’s opinion, are excessively loud may be penalized.

## **Heel Position**

The heel position as used in these guidelines, whether the dog is sitting, standing, or moving at heel, means that the dog shall be straight in line with the direction in which the handler is facing — at the handler’s left side, and as close as practical to the handler’s left leg without crowding, permitting the handler freedom of motion at all times. The area from the dog’s head to shoulder shall be in line with the handler’s left hip.

## **Heel on Leash**

The handler shall enter the ring with the dog on a loose leash and shall stand with the dog sitting in the heel position until the judge asks if the handler is ready and then gives the order “forward.” The handler may give the command or signal to “heel,” and shall start walking briskly and in a natural manner with the dog on

loose leash. The dog shall walk close to the left side of the handler without crowding, permitting the handler freedom of motion at all times. At each order to "halt," the handler will stop and the dog shall sit straight and smartly in the "heel" position without command or signal and shall not move until the handler again moves forward on order from the judge. It is permissible after each "halt" before moving again for the handler to give the command or signal "heel."

The leash may be held in either hand or in both hands, at the handler's option, provided the hands are in a natural position. However, the handler and dog will be penalized if the leash is used to signal or give assistance to the dog.

Any tightening or jerking of the leash or any act, signal or command which gives the dog assistance may be penalized. The judge will give the orders "forward," "halt," "right turn," "left turn," "about turn," "slow," "normal" and "fast." "Fast" signifies that both the handler and dog must run, change pace and move forward at a noticeably accelerated speed. These orders may be given in sequence and may be repeated if necessary. In executing the about turn, the handler will do a right about turn in all cases. The judge will say, "exercise finished" after the heeling, and then "are you ready" before starting the figure eight.

The judge will order the handler to execute the figure eight by ordering "forward." This order signifies that the handler may give the command or signal to "heel" and, with the dog in the heel position, shall walk around and between the two stewards who shall stand about 8 feet apart. The figure eight in the Novice classes shall be done on leash only. The handler may choose to go in either direction. There shall be no about turn, fast or slow in the figure eight, but the handler and dog shall go twice completely around the figure eight with at least one halt during and another halt at the end of the exercise.

### **Stand for Examination**

The judge will give the order for examination and the handler, without further order from the judge, will stand or pose the dog off leash. When the handler is ready, he/she will stand with the dog in heel position, give the command and/or signal to "stay," walk forward about 6 feet in front of the dog, turn around, and stand facing the dog. The method by which the dog is made to

stand or pose is optional with the handler who may take any reasonable time in posing the dog, as in the show ring, before deciding to give the command and/or signal to “stay.”

The judge will approach the dog from the front and will touch its head, body and hindquarters only, and will then give the order “return to your dog,” whereupon the handler will walk around behind the dog to the heel position. The dog must remain in a standing position until the judge says “exercise finished.” The dog must show no shyness or resentment at any time.

## **Heel Free**

This shall be executed in the same manner as heel on leash except that the dog is off the leash. Heeling in both Novice and Open classes is done in the same manner except that in the Open classes all work is done off leash, including the figure eight.

## **Recall and Drop on Recall**

To execute the recall to handler, upon order or signal from the judge “leave your dog,” the dog is given the command and/or signal to stay in the sitting position while the handler walks forward about 35 feet towards the other end of the ring, turns around, and faces the dog. Upon order or signal from the judge “call your dog,” the handler calls or signals the dog, which in the Novice class must come straight in at a brisk pace and sit straight, centered immediately in front of the handler’s feet and close enough so that the handler could readily touch its head without moving either foot or having to stretch forward. The dog shall not touch the handler, nor sit between his or her feet. Upon order or signal from the judge to “finish,” the dog on command or signal must go smartly to the heel position and sit. The method by which the dog goes to the heel position shall be optional with the handler, provided it is done smartly and the dog sits straight at heel.

In the Graduate Novice and Open classes, at a point designated or signaled by the judge, the dog must drop completely to a down position immediately on command or signal from the handler, and must remain in the down position until, on order or signal from the judge, the handler calls or signals the dog which must rise and complete the exercise as in the Novice class.

## **Long Sit**

In Pre-Novice and Novice, all the competing dogs in the class take the exercise together, except that if there are 12 or more dogs, they shall, at the judge's option, be judged in groups of not less than 6 nor more than 12 dogs. Where the same judge does more than one class, the classes may be combined provided there are not more than 12 dogs.

The dogs that are in the ring shall be lined up in catalog order along one of the four sides of the ring. Handlers' arm bands, weighted with leashes or other articles if necessary, shall be placed behind the dogs.

On order from the judge, the handlers shall sit their dogs, if they are not already sitting. On further order from the judge to "leave your dogs," the handlers shall give the command and/or signal to "stay" and immediately leave their dogs, go to the opposite side of the ring (end of lead in Pre-Novice) and line up facing their respective dogs. After one minute from the time the judge has ordered the handlers to leave their dogs, the judge will order the handlers "return to your dogs" whereupon the handlers must return promptly to their dogs, each walking around and in back of the dog to the heel position. The dogs must not move from the sitting position until after the judge says "exercise finished."

## **Long Down**

The long down in the Pre-Novice and Novice classes is done in the same manner as the long sit except that instead of sitting the dogs, the handlers, on order from the judge, will down their dogs without touching the dogs or their collars. The judge will order the handlers back after 3 minutes. The dogs must stay in the down position until after the judge says "exercise finished."

## **Graduate Novice and Open Classes** **Long Sit and Long Down**

These exercises in the Open classes are performed in the same manner as in the Novice classes except that after leaving their dogs, the handlers must cross to the opposite side of the ring, leave the ring in single file as directed by the judge, and go to a place designated by the judge that is completely out of sight of their dogs.

Handlers must remain in this designated area until called by the judge after the expiration of the time limit of 3 minutes in the long sit and 5 minutes in the long

down from the time the judge gave the order to “leave your dogs.” On order from the judge, the handlers shall return to the ring in single file in reverse order, line up facing their dogs at the opposite side of the ring, and return to their dogs on order from the judge.

### **Retrieve on the Flat**

In retrieving the dumbbell on the flat, the handler stands with the dog sitting in the heel position in a place designated by the judge. Upon orders from the judge to “throw it,” the handler may give the command and/or signal to “stay,” which may not be given with the hand that is holding the dumbbell, and throw the dumbbell at least 15 feet. Handlers must wait for orders from the judge before executing each subsequent movement. With the order “send your dog,” the handler gives the command or signal to the dog to retrieve. After the order “take it,” the handler may give a command or signal and take the dumbbell from the dog. Following the final order “finish,” the handler gives the command or signal to heel as in the recall.

The dog shall not move forward to retrieve nor deliver on return until given the command or signal by the handler following the order by the judge.

The retrieve shall be executed at a fast trot or gallop, without unnecessary mouthing or playing with the dumbbell. The dog shall sit straight, centered immediately in front of its handler’s feet and close enough so that the handler can readily take the dumbbell without moving either foot or having to stretch forward. The dog shall not touch the handler nor sit between the handler’s feet.

The dumbbell must be approved by the judge and shall be made of one or more solid pieces of heavy hardwood, which shall not be hollowed out. The dumbbell may also be of rigid, semi-rigid, firm, non-toxic, non-wooden material, similar in size, shape, color and weight to a wooden dumbbell. Metal dumbbells are not permitted. Dumbbells may be unfinished, coated with a clear finish or painted white, and shall have no decorations or attachments, but may bear an inconspicuous mark for identification.

The size of the dumbbell shall be proportionate to the size of the dog. The judge may require the dumbbell to be thrown again before the dog is sent if, in the judge’s opinion, it is thrown too short a distance, too far to one side or against the ringside.



## **Retrieve Over High Jump**

The principal features of this exercise are that the dog go out over the jump, pick up the dumbbell and promptly return with it over the jump. Orders are “throw it,” “send your dog,” “take it” and “finish.” This exercise shall be executed in the same manner as the retrieve on the flat, except that the dog must clear the high jump both going and coming. The handler must stand at least 8 feet, or any reasonable distance beyond 8 feet, from the jump, but must remain in the same spot throughout the exercise, and must throw the dumbbell at least 8 feet beyond the jump. The minimum jump shall be set at the nearest multiple of 2 inches to three quarters the height of the dog at the withers, with no dog jumping less than 8 inches or more than 28 inches.

Handlers having their dogs jump more than the minimum required height shall neither be penalized nor receive extra consideration.

The jumps may be preset by the stewards based on the handler’s advice as to the dog’s height. The judge must make certain the jump is at least the minimum required height for each dog, (see table A, page 10) and also must be aware that the jump shall be set at a higher height if requested by the handler. The judge may, at his/her discretion, verify the height of any dog at the withers.

The side posts of the high jump shall be 4 feet high and the jump shall be 5 feet wide and shall be constructed so as to provide adjustment in 2-inch increments from 8 inches to 28 inches. It is suggested that the jump have a bottom board 8 inches wide including the space from the bottom of the board to the ground or floor, together with two other 8-inch boards, one 4-inch board, and one 2-inch board. A 6-inch board also may be provided. The jump shall be painted a flat white. The width in inches, and nothing else, shall be painted on each side of each board in black 2-inch figures, the figures on the bottom board representing the distance from the ground or floor to the top of the board.

## **Broad Jump**

In the broad jump, the handler will stand with the dog sitting in the heel position in front of and at least 8 feet from the jump. On order from the judge to “leave your dog,” the handler will give the dog the command and/or signal to stay, and go to a position facing the right side of the jump, with the handler’s toes about

2 feet from the jump, and anywhere between the first and last hurdle. On order from the judge, the handler shall give the command or signal to jump and the dog shall clear the entire distance of the broad jump without touching, and, without further command or signal, return to a sitting position immediately in front of the handler as in the recall. The handler shall change position by executing a right angle turn while the dog is in mid-air but remain in the same spot. On order from the judge, the handler will give the command or signal to "heel" and the dog will finish as in recall.

The broad jump shall consist of four hurdles, built to telescope for convenience. It shall be made of boards about 8 inches wide, the largest jump measuring about 5 feet long and 6 inches high at the highest point. All hurdles shall be painted a flat white.

The hurdles shall be set up in order of size and shall be evenly spaced so as to cover a distance equal to twice the height of the high jump as set for the particular dog, with the low side of each hurdle and the lowest hurdle nearest the dog. Four hurdles shall be used for a jump of 48 to 56 inches, three hurdles for a jump of 28 to 44 inches, and two hurdles for a jump of 16 to 24 inches. The highest hurdles shall be removed first.

## Utility

### Signal Exercise

The principal features of this exercise are the ability of dog and handler to work as a team while heeling, and the dog's correct responses to the signals to "stand," "stay," "drop," "sit" and "come."

The signal exercise is composed of two primary components — the heel component and the stand, stay, drop, sit and come component.

The heel component is identical to the open heel free except that no vocal commands, only signals, may be given.

On order from the judge, and while the dog is walking at heel, the handler shall signal the dog to stand in the heel position near one end of the ring (Note: To facilitate this, the judge should give the command to stand when the dog and handler are near one end of the ring.) On further order, "leave your dog," the handler shall signal his dog to stay, go to the other end of the ring and turn to face the dog. On separate and specific signals from the judge, the handler shall give the signals to drop, sit, come and finish as in the novice recall. During the

heeling part of this exercise the handler may not give any signal except when a command or signal is permitted in the heeling exercises, i.e., only heel signals (signals to heel) are allowed in the heeling part of this exercise.

**Scoring:** A dog that fails, on a single signal from the handler, to stand or remain standing where left, or to drop or to sit, or to come, or that receives a command or audible signal from the handler to do any of these parts of the exercise, shall be scored zero.

Minor or substantial deductions, depending on the specific circumstances in each case, shall be made for a dog that walks forward a short distance on the stand, drop or sit portions of the exercise. (If the dog moves a large distance on these parts, it shall be scored zero.)

A substantial deduction shall be made for any audible command during the heeling or finish portions of the exercise.

All the penalties listed under the heel on leash, figure eight and novice recall exercises shall apply.

### **Scent Discrimination**

In each of these two exercises, the dog must select by scent alone and retrieve an article which has been handled and provided by the handler. The articles shall be provided by the handler. These shall consist of two sets, each comprising five identical articles not more than 6 inches in length. These may be items of everyday use. One set shall be made entirely of rigid metal, and one of leather designed so that nothing but leather is visible except for the minimum amount of thread or metal necessary to hold the article together. The articles in each set must be legibly numbered, each with a different number, and must be approved by the judge.

The handler shall present all 10 articles to the judge. The judge shall designate one article from each of the two sets and shall make a written note of the numbers of the two articles selected. These two handler's articles shall be placed on a table or chair in the ring until picked up by the handler who shall hold only one article at a time. The handler's scent may be imparted to the article only from the hands, which must remain in plain sight. The handler has the option as to which article to pick up first.

Before the start of the scent discrimination exercises, the judge or the steward will handle each of the remaining 8 articles and place them at random in the ring about 6 inches apart. The handler will stand about

15 feet from the articles with the dog sitting in the heel position. On order from the judge, the handler immediately will place the article on the judge's book or work sheet and the judge, without touching the article, will place it among the other articles. The handler and dog will face away from the articles that are on the ground or floor from the time the judge takes the handler's article until the order "send your dog."

On order from the judge to "send your dog," the handler may give the command or signal to heel and will turn in place, right or left to face the articles. The handler will come to a halt with the dog sitting in heel position. The handler shall then give the command or signal to retrieve. The handler may give the scent to the dog by gently touching the dog's nose with the palm of one open hand, but this may only be done while the dog is sitting at heel and the arm and hand must be returned to a natural position before handler and dog turn to face the articles. The dog shall go at a brisk pace to the articles and take any reasonable time to select the correct article, provided it works continuously and does not pick up any article other than the one with its handler's scent. After picking up the correct article, the dog shall return at a brisk pace and complete the exercise as in the retrieve on the flat.

The same procedure is used on each of the two scent discrimination exercises. Should a dog retrieve a wrong article in the first exercise, it shall be placed on the table or chair, and the handler's article must also be taken from the remaining articles. The second exercise shall then be completed with one less article in the ring.

### **Directed Retrieve**

The principal features of this exercise are that the dog stay until directed to retrieve, that it go directly to the designated glove, and that it retrieve promptly.

The gloves shall be three predominantly white work gloves supplied by the handler. The handler will stand with his/her back to the unobstructed end of the ring (i.e., the end opposite the entrance and table) with the dog at heel position midway between, and in line with, the high and bar jumps. While the handler and dogs are in this position, the judge or steward will drop the gloves at the unobstructed end of the ring. The gloves shall be dropped so that the dog and handler can see them clearly. The gloves shall be dropped about 3 feet from the end of the ring, and for the corner gloves, about 3 feet

from the end and side of the ring.

The gloves shall be designated one, two and three, reading from left to right when the handler turns and faces the gloves. The judge will give the order "one," or "two" or "three." The handler then will turn the dog right or left to face the designated glove. The handler, after turning in place, will halt with the dog on heel. The handler will then give the dog the direction to the designated glove with a single motion of the left hand along the right side of the dog, and will give the command to retrieve either simultaneously or immediately following the giving of the direction. The dog shall then go directly to the glove at a brisk trot or gallop and retrieve it without unnecessary mouthing or playing with it, completing the exercise as in the retrieve on the flat.

The handler may bend his/her body and knees to the extent necessary to give direction to the dog, after which the handler will stand erect in a natural position with arms at side.

The exercise shall consist of a single retrieve, but the judge shall designate different glove numbers for successive dogs; each glove shall be used approximately the same number of times.

**Scoring:** All applicable penalties listed under the novice recall and the retrieve on the flat apply. In addition, a score of zero is required for any commands or signals by the handler, after turning, to position the dog to face the designated glove for not going directly to the designated glove, or for not retrieving it.

Depending on the extent, substantial or minor deductions shall be made for a handler who overturns or touches the dog or uses excessive motions while turning to face the glove.

## Directed Jumping

The principal features of this exercise are that the dog go away from the handler in the direction indicated, stop when commanded, jump as directed, and return as in the recall.

The jumps shall be placed midway in the ring at right angles to the sides of the ring and 18 to 20 feet apart, the bar jump on one side, the high jump on the other. The judge must make certain that the jumps are set at the required height for each dog by following the procedure described in retrieve over high jump.

The handler starts from a position on the center line of the ring and about 20 feet from the line of the jumps

(i.e., about 20 feet from the starting point of the directed retrieve) with the dog sitting in the heel position. After the order from the judge “send your dog,” the handler will command and/or signal the dog to go forward at a brisk pace to a point about 20 feet beyond the jumps in the center of the opposite end of the ring (about 40 feet away from the handler). When the dog has reached the opposite end of the ring, the handler will give a command to “sit.” The dog must stop and sit facing or with its attention on the handler, but need not sit squarely.

The judge will indicate the order of jumps by indicating the high or bar jumps. The handler shall command and/or signal the dog to return to him/her over the designated jump. As in the broad jump exercise, the handler may turn while the dog is in mid-air so as to be facing the dog when it returns. The dog shall sit in front of the handler until the order “finish” is given by the judge. After the dog has returned to the heel position, the judge will say “exercise finished.”

When the dog is again sitting in the heel position, the judge shall ask, “Are you ready?,” before giving the order to send the dog for the second part of the exercise. The second part is identical to the first except the other jump is taken. It is at the judge’s option, which jump is to be taken first, but both jumps must be taken to complete the exercise. The judge must not designate the jumps until the dog is at the far end of the ring. The dog must clear the jumps without touching them.

The height of the jumps shall be the same as required in the Open B class. The high jump shall be the same as that used in the Open B class, and the bar jump shall consist of a bar between 2 and 2½ inches square with the four edges rounded sufficiently to remove any sharpness. The bar shall be painted a flat black and white in alternate sections of about 3 inches each (or the bar may be painted totally white and black tape wrapped around it at intervals). The bar shall be supported by two unconnected 4-foot upright posts about 5 feet apart. The bar shall be adjustable for each 2 inches of height from 8 inches to 36 inches and the jump shall be so constructed and positioned that the bar can be knocked off without disturbing the uprights.

### **Moving Stand and Examination**

In this exercise the dog shall heel, stand and stay on command by the moving handler. The dog also shall accept the examination without shyness or resentment, and return to the handler on command.

Orders for the exercise are “forward,” “stand your dog,” given while the handler is walking, and “call your dog to heel.”

The handler stands with his/her dog sitting in the heel position at a point indicated by the judge. The judge asks “Are you ready?” and orders “forward.” The handler commands or signals his/her dog to heel, and walks briskly at a normal pace. After the handler has proceeded about 10 feet, the judge orders “stand your dog.” The handler will, without pausing, command and/or signal the dog to stand, continue forward 10 to 12 feet and turn around, either to the right or left and stand facing the dog. The dog must stand and stay in position.

The judge approaches the dog from the front and examines the dog by going over it with his/her hands as in dog show judging except that in no circumstances shall the examination include the dog’s mouth or testicles.

The judge then orders “call your dog to heel,” whereupon the handler commands and/or signals the dog to return to the heel position. The dog immediately returns in a brisk manner to the proper heel position beside the handler.

**Scoring:** A score of zero is required for the following: A dog displaying fear or resentment, moving from the place where it was left, sitting or lying down before being called, growling or snapping at any time during the exercise, repeated whining or barking, the dog’s failure to heel, stand and stay, accept the judge’s examination or return to the handler.

Substantial to minor deductions, depending on the circumstances, must be made for a dog that moves its feet repeatedly while remaining in place, or for a dog that returns close enough to the handler so that the handler could readily touch the dog’s head without moving either foot or having to stretch, but not to the heel position.

All appropriate penalties of the novice heel free, stand for examination and recall exercises shall apply. Minor or substantial penalties, depending on extent, shall be made for the handler that changes the manner of walking or hesitates or pauses while giving the command and/or signal to stand, or if the dog fails to return briskly or sit properly in the heel position.

## **The Showmanship/Obedience Ring Steward in 4-H Dog Shows**

Planning a 4-H dog show is an endeavor that involves many months of preparation by the show-giving club. The tasks are varied and demanding: selecting judges, preparing an advertising flyer, compiling a mailing list, soliciting trophies, ordering trophies and ribbons, making luncheon arrangements, preparing armbands and scoresheets, and printing a catalog are only some of the details to be completed. One necessary element of a 4-H dog show, often neglected or treated lightly, to the disappointment of both the exhibitor and the judge, is the selection and training of stewards.

A steward who is not acquainted with showmanship/obedience requires time-consuming instructions from the judge and can severely slow down the entire judging procedure. In order to ensure the smooth operation of a ring by the stewards, clubs should provide at least one training session for them. Use experienced stewards to instruct the training session.

Well in advance of their show, clubs should appoint a chief steward whose duty it is to invite a sufficient number of experienced persons to act as stewards in the judging on the day of the event. The chief steward should, as soon as practicable, confirm in writing to each person who accepts an invitation to steward, the date and location of the show, the time at which they are to report for duty and their particular ring assignment.

In preparing the schedule of ring assignments, the chief steward and other club officials should keep in mind that no person should serve as a steward with a judge under whom he/she has an entry or under whom, in the course of the day's judging, his/her entry might become eligible to compete.

Stewards must keep in mind that they have been selected to help the judge and not to advise him/her. They should carefully refrain from discussing or even seeming to discuss the dog's performance with the judge. When not actively engaged in their duties, stewards should position themselves so they will not interfere with the judging of the dogs.

Under no circumstances should a steward give information or instructions to handlers or family members unless specifically instructed to do so by the judge, and then only in such a manner that it is clear that the instructions are those of the judge.

Stewarding functions in the showmanship/obedi-



ence ring are broken down in three general categories: gate, table and ring. Under ideal circumstances, a club will provide four stewards to perform these functions (there are two ring stewards for obedience). However, if the judge's assignment is relatively light, a club could manage quite well with two experienced persons for each ring. The following discussion will explain the specific duties of each function. Remember, although the duties discussed below cover most of the stewards' responsibilities, it is absolutely essential that the stewards be at ringside at least 30 minutes before judging begins to receive any specific instructions from the judge and to assist in setting up the ring as directed by the judge.

### **The Gate Steward**

The primary responsibility of the gate steward is to ensure that the next team to be judged is immediately available when the judge indicates that he/she is ready. As soon as the judge begins the judging routine of a team, this steward calls the next team to be judged and ensures that the handler is at the ringside when the team in the ring has completed all exercises. Teams may not enter the ring until the judge indicates that he/she is ready for the next team, and it is the responsibility of this steward to ensure that the judging time of the class is not delayed by having the judge wait for teams.

Most judges prefer that the teams in a showmanship class be arranged with the largest or fastest dogs first and the rest of the class in like manner with the slowest or smallest dogs last. The gate steward will make that arrangement and arrange the scoresheets in sequence and deliver them to the judge so that judging will proceed quickly and smoothly.

Teams must be judged in catalog order to the extent that it is practical to do so without holding up the judging in any ring. If the team listed next in the catalog is not at ringside when needed, the steward should not hesitate to call the next team in order. Stewards are not required to seek out handlers, as it is the handler's responsibility to be ready when his/her number is called. The gate steward should report the absence to the judge and the judge will decide when the team is to be marked absent.

Often, exhibitors make requests for special consideration, such as asking to be judged out of catalog order. Any requests of this nature must be directed to the judge. It is the judge's prerogative to grant or deny

the request and the steward should never consider the matter him/herself.

When stewarding in the Novice class, upon completion of the recall exercise, the gate steward should return the leash to the handler as he/she is leaving the ring.

### **The Table Steward**

The extent to which a judge uses the services of a table steward varies greatly. Some judges prefer to do their own bookwork and do not feel it is necessary to have their steward perform many of the duties in this area. The steward must receive specific instructions from the judge to ascertain exactly what will be required as table steward.

The judge may ask the table steward to prepare and have ready the scoresheet for the next team. The table steward's responsibilities include: ensuring that the team armband number is entered; the proper class is circled for Showmanship and Pre-Novice classes; 4-Her's name, dog's name, breed, show location, date and judge's name are correctly entered on the sheet. If the judge requests it, the table steward will double check to see the scores from the scoresheet are added correctly. The steward should check to ensure that no error has been made. If an error is detected, the table steward should bring it to the attention of the judge.

The table steward usually prepares the group exercise work sheets, if the judge uses them. These should be prepared in advance and according to the judge's instructions.

The table steward should check with the chief ring steward or the show superintendent to see what trophies (if any) are offered, and to ensure that all trophies and ribbons are available at the conclusion of judging. At awards time, fasten the ribbons to the upper right hand corner of the scoresheet and remember to post the final score at the top left of the scoresheet. This will help the judge to acknowledge the team and their score during the awards ceremony. The table steward will record the final team scores in the catalog or record sheet provided by the show-giving club.

### **Ring Stewards**

Each obedience judge requires two ring stewards. It is particularly important for these two stewards to report to the ring at least 30 minutes prior to the scheduled time for judging. They will assist the judge in setting up

the ring and equipment and receive specific assignments from the judge. As the duties of the ring stewards vary with the class in which they are officiating, the remainder of this discussion will be directed by classes.

## Novice

The first exercise in the Novice class is the heel on leash. After the team finishes the heeling pattern, the two ring stewards are required to act as posts around which the team will execute the figure eight. Both stewards should be ready immediately when the figure eight is called. The judge will indicate where he/she wants the figure eight to be performed. When should the stewards go to the assigned position? Probably just after the judge gives the order "exercise finished" for the heel on leash portion of the exercise. This method saves time by not requiring the judge to call the stewards each time they are needed. The stewards should stand about 8 feet apart, facing each other, with their hands hanging naturally at their side, or folded in front. Hands should not be placed on the hips or in any way extended from the body. It is absolutely essential that stewards do not talk or move while this exercise is being performed. Stewards must resist the temptation to turn their head to watch the team's performance. Please do not laugh, giggle, smile or stare at the dog.

After the completion of the figure eight exercise, a steward must be available to take the leash from the handler. The judge will then give the order for the stand for examination. Often, the judge will require the steward to hold his/her clipboard and pencil. Once the steward has these items, he/she should promptly move away from the area where the exercise is taking place, but should be close enough to quickly return the clipboard and pencil when the judging of the exercise is completed and the judge gives the order "exercise finished." The steward does not return the dog's leash until after the recall exercise is completed.

Any number of incidents may occur during the group exercises, and the ring stewards must be particularly alert. If a dog breaks or starts to move toward another dog, the steward may be asked to restrain the dog's movement. The steward's attention should be divided between the dogs and the judge to ensure the stewards are alert to a possible disturbance and be ready to follow whatever instructions the judge may give.

## Open A Class

When calling a team to ringside, the gate steward should record on the scoresheet the dog's height and the distance that the broadjump is to be set as stated by the handler. The gate steward also should take the leash and dumbbell from the handler when the dog is brought into the ring. After the handler and the dog have completed the broad jump, the gate steward will relay the distance that the next dog jumps the broad jump to the ring stewards. One steward will immediately set the distance of the broad jump. A discussion of the heights and distance will be described later. It is essential that the steward setting the broad jump have a tape measure or folding rule to ensure the accuracy of the jump. The first duty of the judge will be to measure the dog and check that the broad jump is properly set. The steward must arrange the broad jump quickly and accurately or much time will be wasted.

In the Open classes the figure eight is performed off lead as part of the heel free exercise. The requirements of the stewards are the same as in the Novice Class. Again, the stewards should be immediately available when the order is given. Good stewards will place themselves in position immediately after the judge states "exercise finished" when the heeling pattern is completed.

The Open A Class has one retrieving exercise — the retrieve on flat. The gate steward takes the dumbbell from the handler as the dog enters the ring, and places it on the judge's table. After the drop on recall exercise is completed, or when directed by the judge, a ring steward shall deliver the dumbbell to the handler or the judge as directed by the judge. This should be done immediately so that handlers are not waiting. After the retrieve on flat, the ring steward must take the dumbbell from the handler, so the handler's hands are free during the broad jump exercise. CAUTION — When handing the dumbbell to and taking it from the handler, do not handle it over the top of the dog. The dumbbell might slip from either the steward's or the handler's hands and be dropped on the dog. Upon completion of the broad jump, the dumbbell and leash are returned to the handler.

### **Group Exercises — Graduate Novice, Open A and Open B Classes**

The gate steward will line up the teams outside the ring immediately prior to the time the judge has indicated he/she will do the long sit and the long down.

The judge should not have to wait while the handlers are located. The long sit and long down usually are completed in catalog order.

As the dogs enter the ring, the ring stewards must line up dogs and handlers along the ringside as indicated by the Judge. Ring stewards must ensure that teams are in worksheet order and that they are placed an equal distance from each other. The judge will instruct the handlers to place armbands and leashes behind their dogs, with the leash on top of the armband, in such a manner that the number is easily read. One of the ring stewards will be assigned to lead the handlers out of sight of the dogs. Access to this location should be checked by the stewards prior to beginning the exercise. Once behind the blind area, the steward must watch for the judge's signal to return to the ring and then lead the handlers back to the ring. The steward is responsible for having handlers return in the same order in which their dogs are arranged. The other steward assists the judge in the ring in the same manner described for the Novice Class.

### **Open B Class**

The Open B Class has the additional exercise of the retrieve over high jump. While one ring steward is setting the broad jump, the other ring steward will set the height of the high jump.

The ring stewards will have the same duties as in Open A Class except that the dumbbell will be taken from the handler following the retrieve over high jump exercise.

### **Utility A Class**

When calling a handler to ringside, the gate steward should record on the scoresheet the dog's height and the distance that the dog jumps the broad jump and the high jump as stated by the handler. The Utility A Class contains the retrieve over high jump and broad jump exercises the same as Open B Class. After the dog in the ring completes the broad jump exercise, the gate steward will relay the distances that the next dog must jump to the ring stewards. As in the Open B Class, one ring steward sets the high jump while the other steward sets the broad jump. Again, as in the Open Classes, the judge will measure the dog and ensure the jumps are properly set.

Scent discrimination exercise — The gate steward will place the handler's articles, in their container, on

the judge's table where the judge will select two — one leather and one metal — and separate them from the rest. The judge may position the remaining articles or may ask the ring steward to perform this function. The articles must be placed so that the closest article is about 15 feet from the handler. The judge or ring steward must touch (not necessary to scent) each of the eight remaining articles, spreading them in a random manner on the floor, about 6 inches apart. After completion of the scent discrimination exercise, the ring steward places the articles in the handler's container and returns them to the judge's table.

### **Utility B Class**

The Utility B Class includes the directed retrieve, directed jumping and moving stand and examination exercises.

The directed retrieve exercise utilizes two ring stewards. While one steward is picking up the scent articles, the other steward takes the three gloves from the judge's table and goes to the far end of the ring. After the dog and handler are in position (midway between and in line with the two jumps) but facing the opposite direction, the steward will drop the three gloves across the end of the ring: one glove in each corner, about 3 feet from the sides and the end of the ring, and one in the center, about 3 feet from the end of the ring. The judge may choose to do this task him/herself, but it usually is assigned to a steward. The three gloves must be visible to both the dog and the handler. It is not necessary to "iron" the gloves flat, but they should be open, not closed or rolled up. After the exercise is completed, the steward retrieves the remaining two gloves and places them on the judge's table.

The directed jumping exercise is set up with a bar jump on one side and a high jump on the other side of the center of the ring and about 18 to 20 feet apart. The judge will ask the ring stewards to assist him/her in setting the location of these jumps before class judging begins. The gate steward will inform the ring stewards as to the height that each jump is to be set prior to the team being brought into the ring. As in the Open B Class, one ring steward sets the high jump while the other steward sets the bar jump.

For the moving stand and examination, one ring steward will be needed to hold the judge's clipboard and pencil during the examination and will stand aside as directed by the judge.

When the team finishes the moving stand and examination, the gate steward returns all articles and leash to the handler.

## The Jumps

Although the handler will be asked by the gate steward what height his/her dog jumps, it is conceivable that he/she will only know the height of his dog. Because of this, it is essential that ring stewards be familiar with the obedience regulations concerning the setting of the jumps.

The minimum high jump and bar jump shall be set at the nearest multiple of 2 inches to three quarters the height of the dog at the withers, with no dog jumping less than 8 inches nor more than 36 inches.

Handlers having their dogs jump more than the minimum required height shall neither be penalized nor receive extra consideration.

The minimum jumps shall be set in accordance with the following table:

Measured height of dog at withers	Height to be jumped
Less than 12½"	8"
12½" to less than 15"	10"
15" to less than 17½"	12"
17½" to less than 20"	14"
20" to less than 23"	16"
23" to less than 25½"	18"
25½" to less than 28"	20"
28" to less than 31"	22"
31" to less than 33½"	24"
33½" to less than 36"	26"
36" to less than 39"	28"

The broad jump is set at twice the distance of the high jump. The low side of each hurdle and the lowest hurdle shall be nearest the dog. The highest hurdles shall be removed first.

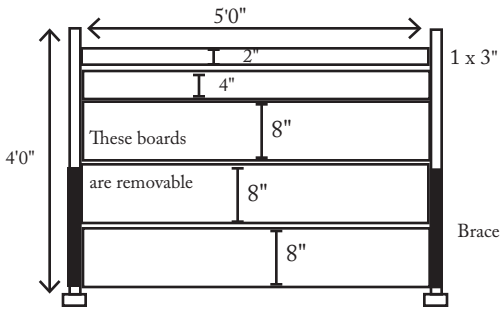
The boards shall be spaced as equally as possible as follows:

for dogs that jump 16 to 24 inches—use two boards:

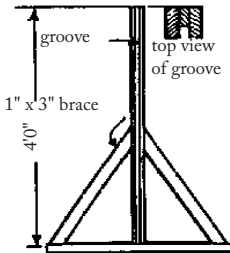
for dogs that jump 28 to 44 inches—use three boards:

for dogs that jump 48 to 56 inches— use four boards.

## High Jump Front View



**Note:** A 6-inch board may be included.



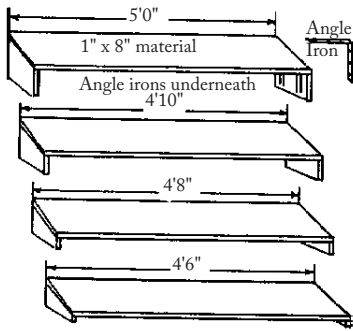
### Side View

This upright consists of two pieces 1" x 3", and one piece 1" x 2" nailed together, with the 1" x 2" forming the groove for the boards to slide in.

The high jump  
must be painted a  
flat white.



## Broad Jump

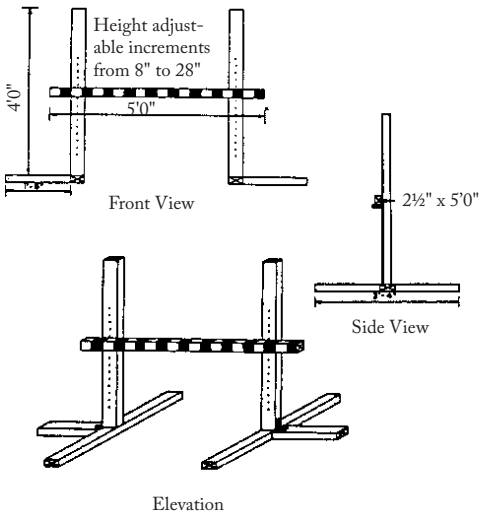


End View of Four Hurdles



This jump must be painted a flat white

## Bar Jump



## NOTES

## NOTES

This handbook was prepared by the State 4-H Dog Care and Training Project Action Team.

Special acknowledgement is given to Keith Neuway for major revision of the material.

Credit is given to the American Kennel Club Obedience Handbook for assistance in preparing the obedience section of this material.

Coordinated by  
**James P. Adams**  
**Extension Specialist**  
**4-H Youth Development**

Publications from Kansas State University are available at:  
*www.ksre.ksu.edu*

Publications are reviewed or revised annually by appropriate faculty to reflect current research and practice. Date shown is that of publication or last revision. Contents of this publication may be freely reproduced for educational purposes. All other rights reserved. In each case, credit James P. Adams,  
*Kansas 4-H Dog Show Rule Book,*  
Kansas State University, April 2012.

**Kansas State University Agricultural Experiment Station  
and Cooperative Extension Service**

---

S-46 (revised)

April 2012

---

K-State Research and Extension is an equal opportunity provider and employer. Issued in furtherance of Cooperative Extension Work, Acts of May 8 and June 30, 1914, as amended. Kansas State University, County Extension Councils, Extension Districts, and United States Department of Agriculture Cooperating, Gary Pierzynski, Interim Director.